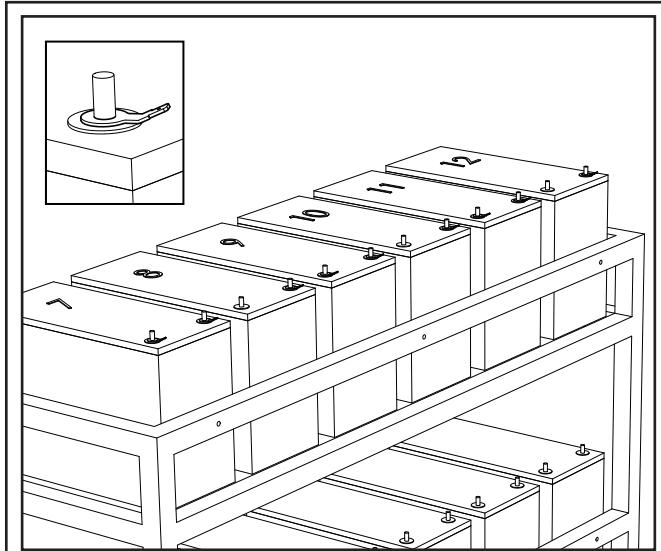
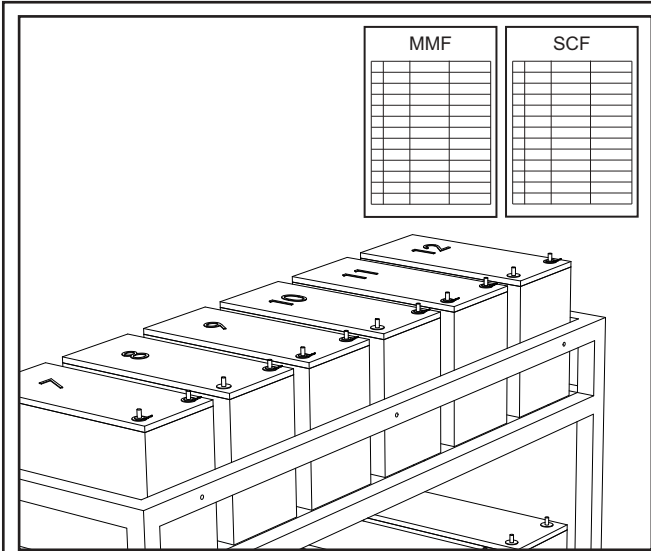


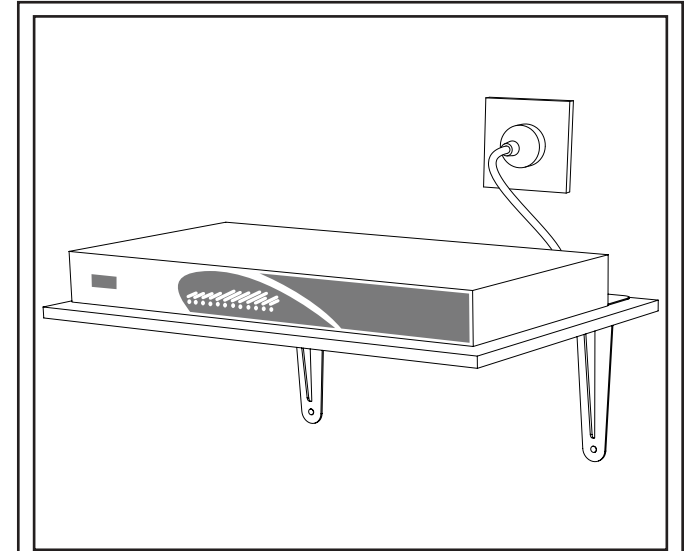
PowerShield Sentinel Installation Overview:



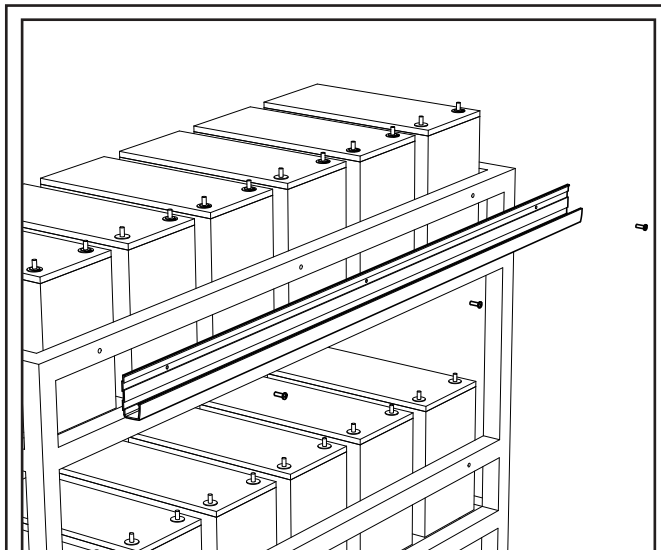
Number all monoblocks individually (1-1280), and fit 6.3mm QC terminal tags. (eg.1-32, 33-64, 65-96, Not 1-32, 1-32, 1-32) **1:**



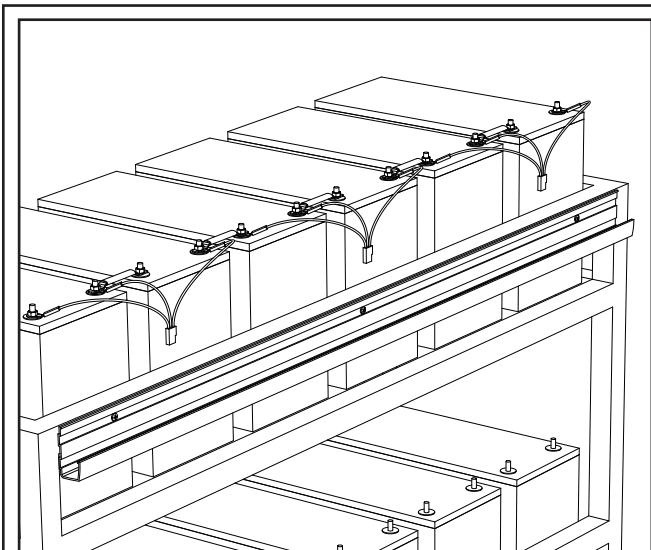
Ensure SCF and MMF forms are completed as installation proceeds. Refer to Installation Manual for copies **2:**



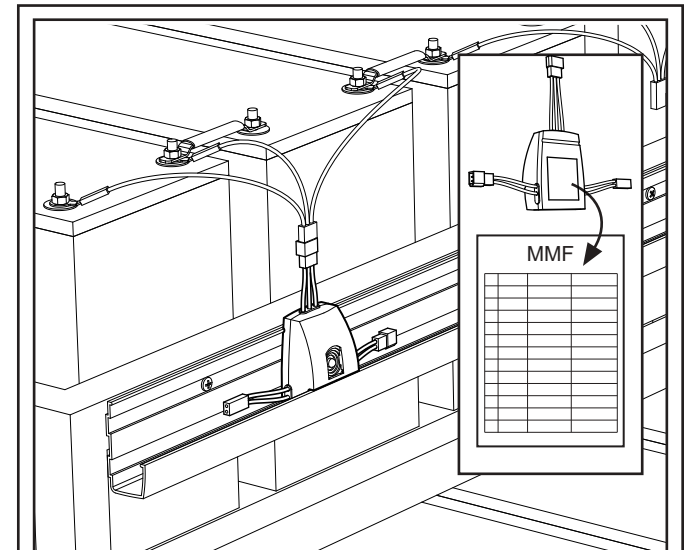
Install Monitor securely. Power up and confirm operation **3:**



Secure the mounting rail to suit battery layout. **4:**

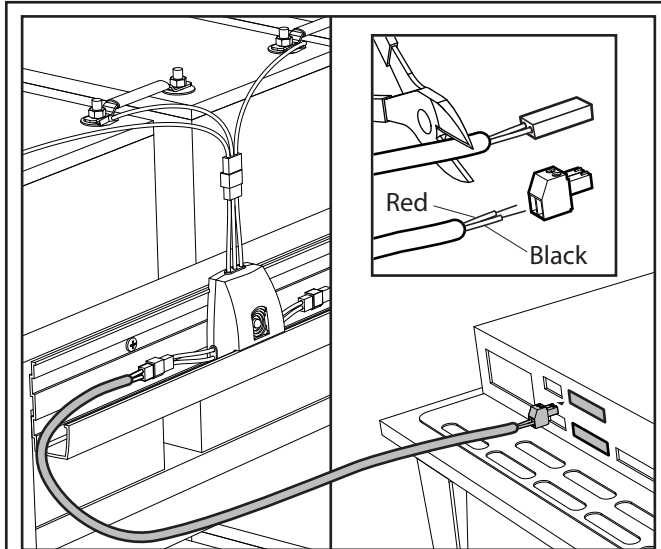


Fit Module power leads to terminal tags, confirming correct polarity **5:**



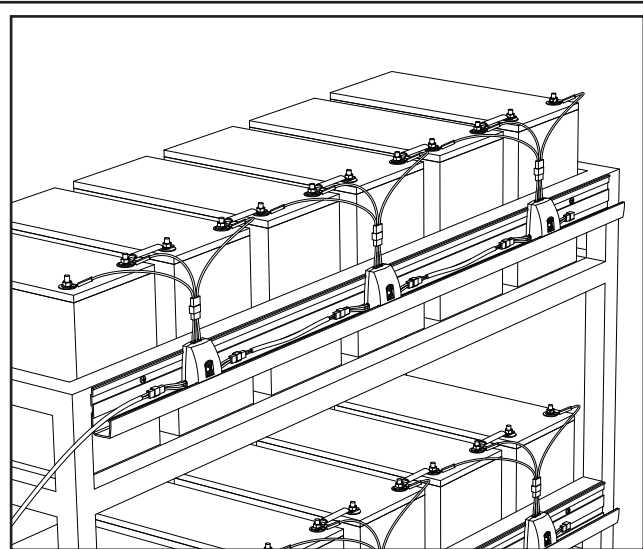
Fit modules, connect power leads. Record Module ID and battery number on MMF **6:**

PowerShield Sentinel Installation Overview:



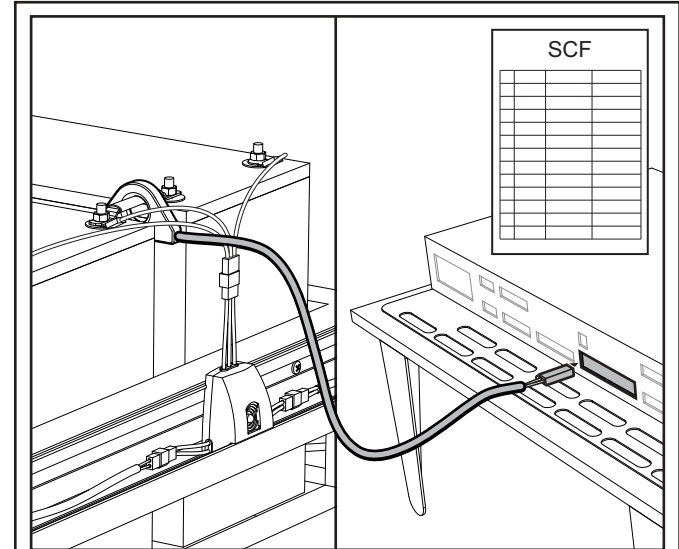
Connect Bbus Port cable from one end of Modules to Monitor.

7:



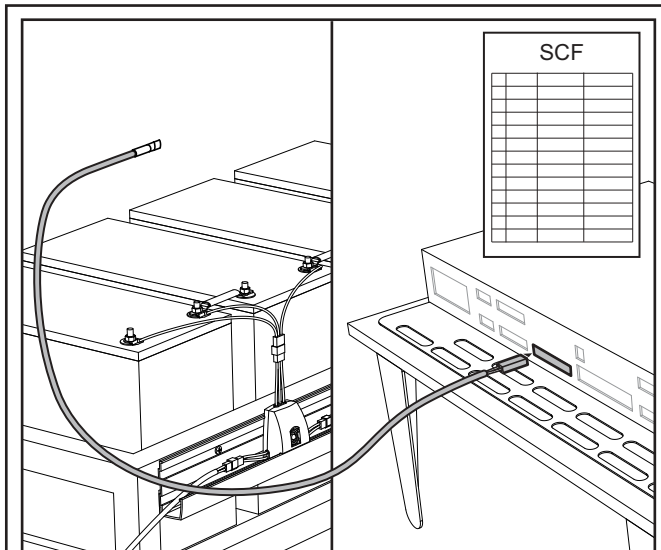
Remember-maximum ten Modules per Bbus port, and each on that port must have a different ID. The LED should flash.

8:



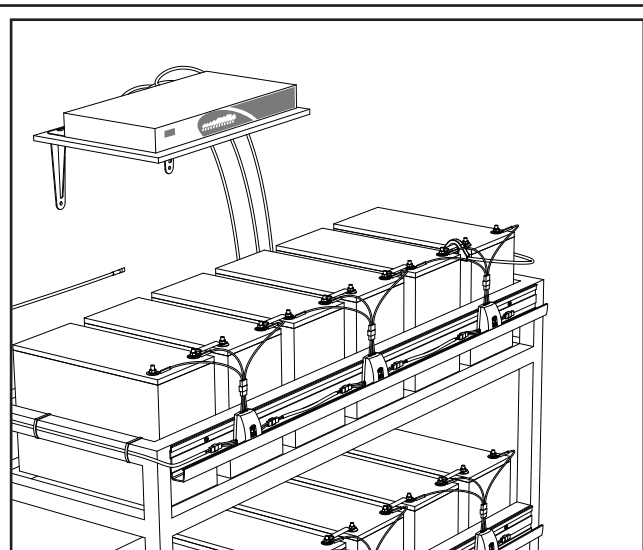
Install Current Transducer and connect with cable to Monitor. Record details on SCF.

9:



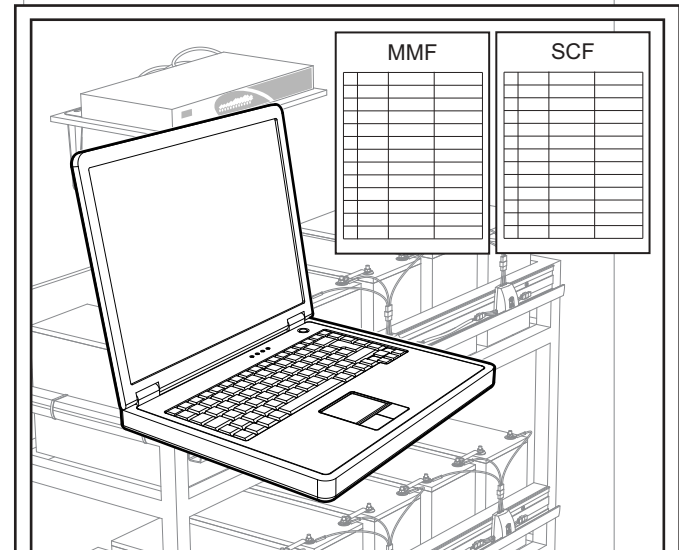
Install Temperature Probe and connect to Monitor. Record details on SCF.

10:



Confirm all module LEDs are flashing. Secure all cables tidily.

11:



Proceed with system configuration using PowerShield Config software. Ensure completed MMF and SCF forms are available.

12: